

**DIRECT MOUNTING PAD**

V2FH-PN16 SIZE:1/2" ~ 4"



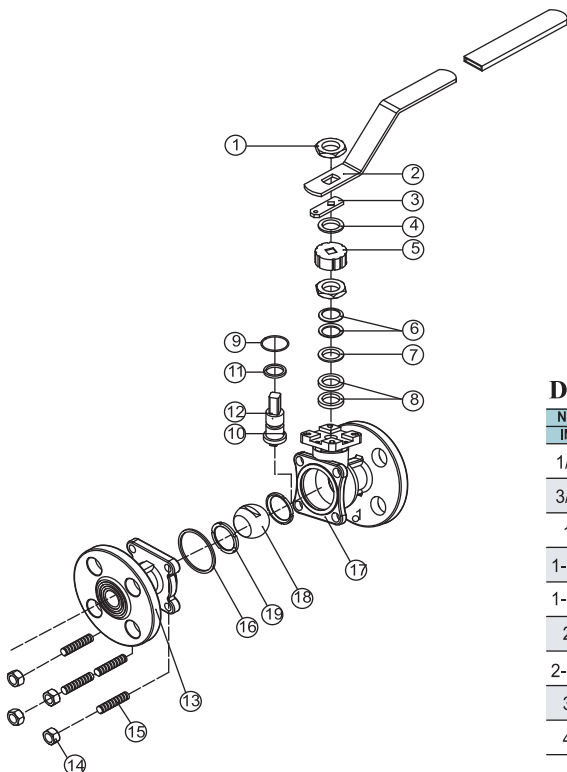
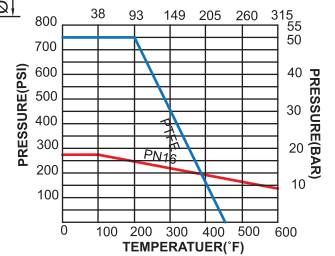
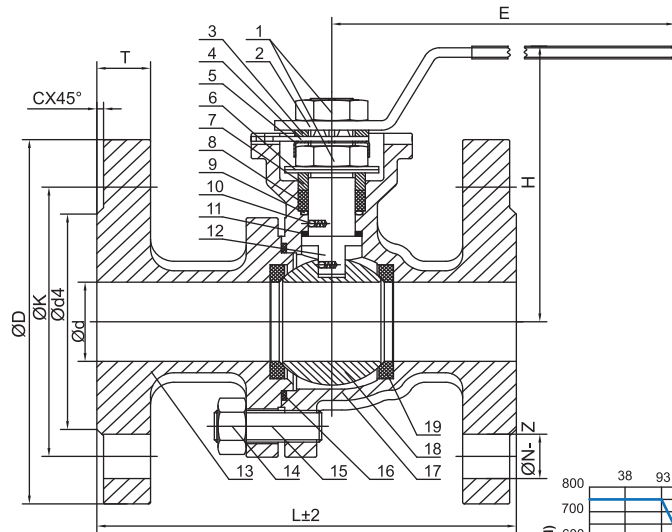
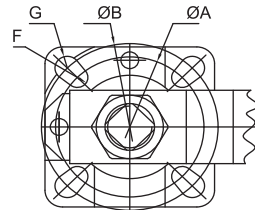
STAINLESS STEEL  
 AISI-316 (DIN 1.4408) (ASTM-A351-CF8M)  
 AISI-304 (DIN 1.4308) (ASTM-A351-CF8)  
 CARBON STEEL  
 S-45C (DIN 1.0619) (ASTM-A216-WCB)

**FEATURES:**

- \*Flange: DIN 2633 PN16
- \*Face to face: DIN 3202 F4
- \*Pressure rating: PN16
- \*Investment casting body and cap
- \*Blow-out proof stem
- \*ISO 5211 direct mounting pad

**MATERIALS LIST**

ITEM	PART	QTYL	MATERIALS		
			304	316	WCB
1	Nut	2	304	316	WCB
2	Handle	1	201	201	201
3	Square Washer	1	304	316	WCB
4	Limit Stop	1	304	316	WCB
5	Stop-lock-cap	1	304	316	WCB
6	Belleville Washer	2	304	316	WCB
7	Bushing	1	304	316	WCB
8	Packing	2	PTFE	PTFE	PTFE
9	O-Ring	1	NBR	NBR	NBR
10	Anti-static-devices	1	304	316	WCB
11	Thrust Gasket	1	PTFE	PTFE	PTFE
12	Stem	1	304	316	WCB
13	Cap	1	CF8	CF8M	WCB
14	Nut	1/2"-2"x4pcs 2-1/2"x6pcs 3"-4"x8pcs	304	316	WCB
15	Bolt		304	316	WCB
16	Gasket	1	PTFE	PTFE	PTFE
17	Body	1	CF8	CF8M	WCB
18	Ball	1	304	316	WCB
19	Seat	2	PTFE	PTFE	PTFE



**DIMENSIONS**

NOMINAL SIZE	INCH	MM	d	d4	K	D	N-Z	C	T	L	H	E	A	B	F	G	Kg	TORQUE
1/2"	15	15	45	65	95	4-14	2	14	115	69	125	36	42	5.5	6.0	2.4	4.5	
3/4"	20	20	58	75	105	4-14	2	16	120	75	125	36	42	5.5	6.0	3.0	7.0	
1"	25	25	68	85	115	4-14	2	16	125	87	155	42	50	6.0	7.0	3.9	8.5	
1-1/4"	32	32	78	100	140	4-18	2	16	130	99	155	42	50	6.0	7.0	5.2	14.5	
1-1/2"	40	38	88	110	150	4-18	3	16	140	116	195	50	70	7.0	9.0	6.7	21	
2"	50	50	102	125	165	4-18	3	18	150	124	195	50	70	7.0	9.0	8.1	28	
2-1/2"	65	65	122	145	185	4-18	3	18	170	140	260	70	102	9.0	11	11.8	51	
3"	80	80	138	160	200	8-18	3	20	180	153	260	70	102	9.0	11	15.4	86	
4"	100	100	158	180	220	8-18	3	20	190	175	300	70	102	9.0	11	20.3	121	